

NEW
FORTUNER
LEGENDER

INDUS MOTOR COMPANY LIMITED

[f](#) ToyotaPakistanOfficial [t](#) @ToyotaPak [i](#) ToyotaPakistan [g](#) www.toyota-indus.com

Contact Information

Indus Motor Company Limited
Plot No. N.W.Z./1/P-1, Port Qasim Authority,
Karachi, Pakistan.
Phone: +92-21-34721100
UAN: +92-21-111-86-96-82 (+92-21-111-TOYOTA)

Customer Assistance Centre

Toll Free: 0800-11123
Phone: +92-21-34721100
Email: customer.relations@toyota-indus.com

FOR MORE INFORMATION

SMS "FORTUNER" TO **TEXT 8398**

manhattan



NEW
FORTUNER
LEGENDER



EXCELLENCE
REDEFINED



FORTUNER
LEGENDER
WELCOME TO A REDEFINITION OF PRESTIGE & OPULENCE,
TO A LATERAL PERSPECTIVE OF FINESSE & BRILLIANCE.
WITNESS THE REDEFINITION OF EXCELLENCE.

EXCELLENCE

REDEFINED

EXPERIENCE THE POWER AND CAPABILITY OF A PREMIER UTILITY VEHICLE, WITH A STYLISH NEW EXTERIOR AND A BREATHTAKING CABIN WRAPPED AROUND ITS INDULGENT LUXURY. THE FORTUNER LEGENDER DOES MORE THAN SET A STANDARD. ONCE AGAIN, IT SETS THE EXAMPLE.





DESIGN REDEFINED

A WORLD OF ALLURING DESIGN AWAITS WITH THE ALL-NEW FORTUNER LEGENDER. BE PULLED IN AS THE LEGENDER CAPTURES YOUR ATTENTION WITH ITS TAUT SHAPES, GENTLE CURVES, AND A SLEEK PROFILE.

OUR DESIGNERS' EXPERTISE HAS PRODUCED A MASTERPIECE - A VEHICLE THAT, DESPITE ITS POWER, REMAINS THE EMBODIMENT OF A BEAUTIFUL, POLISHED AUTOMOTIVE DESIGN. THE ALL-NEW CATAMARAN-INSPIRED FRONT FASCIA IS ONE OF THE DISTINGUISHING ASPECTS THAT CAPTURES THE EYE.

NEW
FORTUNER
LEGENDER

DYNAMICS

REDEFINED

WITH A REIMAGINED, ROBUST PROFILE, THE REAR END OF THE FORTUNER LEGENDER IS A DYNAMIC EXPRESSION OF BOLD DESIGN AESTHETIC.

GRACEFUL PLANES OF STEEL MEET POWERFUL CURVES AND LINES TO CREATE A SLEEK SUV THAT SUITS YOUR STYLE. THE MUSCULAR CONSTRUCTION OF THE FORTUNER LEGENDER COMBINES TOYOTA'S DNA TO CREATE A POWERHOUSE WITH PERCEPTIBLE ELEGANCE THAT DEMANDS RESPECT.



PRESENCE REDEFINED

THE PROMINENT, POWERFUL FORWARD MOVEMENT OF THE GRILLE UNDERLINES THE UPPER BODY'S "SLEEK & POWERFUL" APPEARANCE. THE REDEFINED AESTHETICS ARE ENHANCED BY THE LOWER PORTION'S DESIGN, AS IT WRAPS AROUND THE CORNERS. THE CATAMARAN ELEMENTS PRODUCE NOT ONLY A STRONG VERTICAL FOCUS, BUT ALSO A LARGER PRESENCE. THE HUGE, PONTOON-STYLE FOG LIGHT SECTIONS GIVE STRENGTH AND MODERNITY TO THE OVERALL DESIGN.

■ QUAD-LED WITH DUAL PROJECTOR HEADLAMPS



■ SEQUENTIAL LED TURN SIGNALS



■ LEGENDER WATERFALL DRLS



■ ALL BLACK REAR GARNISH



■ FRONT AND REAR PARKING SENSORS





JOURNEY REDEFINED

FORM, FUNCTION AND EXEMPLARY LEVELS OF FINESSE ARE BROUGHT TOGETHER TO HELP CREATE ONE OF TOYOTA'S MOST COMPELLING VEHICLES TO DATE. ITS INHERENT STRENGTH AND OFF-ROAD CAPABILITIES ARE MATCHED ONLY BY ITS BOLD CONTEMPORARY LOOKS AND ALLURING TOUCHES OF LUXURY. INSIDE, THE ASTUTE USE OF SPACE, COUPLED WITH THE HIGH-QUALITY DESIGN AND PREMIUM MATERIALS, ENHANCES THE FORTUNER LEGENDER'S BOLD HORIZONTAL AND VERTICAL LINES.

OFF-ROAD REDEFINED

THE FORTUNER LEGENDER, LIKE ALL FORTUNERS, WAS DESIGNED FROM THE BOTTOM UP TO MANAGE BOTH ON- AND OFF-ROAD DRIVING. BUILT ON A BODY-ON-FRAME BASIS, WITH 4X4 FUNCTIONALITY, THE FORTUNER COMES WITH A SELECTION OF OFF-ROAD FEATURES TO COMPLEMENT THE ON-ROAD CAPABILITIES OFFERING THE DRIVER WITH UNRIVALED CONTROL ACROSS ALL TERRAINS. GO ANYWHERE. DO ANYTHING. THE FORTUNER LEGENDER HAS BEEN ENGINEERED SO YOU CAN DREAM BIGGER. PUSH HARDER. GO ABOVE AND BEYOND.



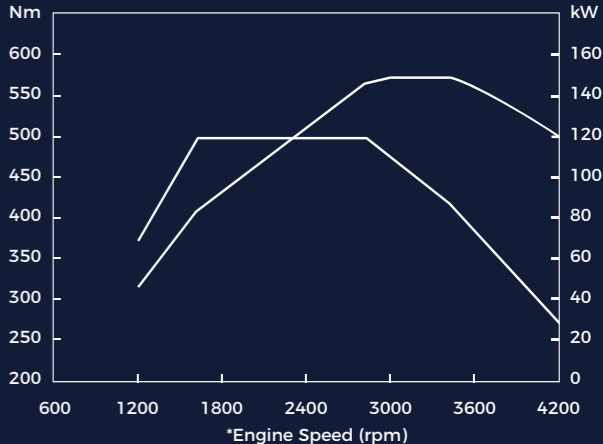


THE ALL-NEW MULTI-LAYERED MACHINE CUT FINISH DESIGN PROVIDES A FEELING OF LUXURIOUS ELEGANCE TO THE WHEEL CONSTRUCTION. BOASTING A STRONG YET AGILE OUTLOOK. ADDING TO THE SENSE OF PREMIUM ELEGANCE.



CAPABILITIES REDEFINED

THE STRONG 1GD-FTV ENGINE HAS BEEN TUNED EXPRESSLY TO ELICIT ABSOLUTE CONTROL OVER PERFORMANCE WITH UNSURPASSED CONFIDENCE. IT WAS DESIGNED TO OVERCOME THE EVERYDAY COMMUTE AND TOUGH TERRAIN. THE ALL-NEW FORTUNER LEGENDER REDEFINES GREATNESS.



THE NEW GENERATION 2.8-LITRE DIESEL ENGINE (LGD-FTV) HAS BEEN FINE-TUNED FOR INCREASED POWER AND FUEL EFFICIENCY. THE VARIABLE NOZZLE TURBOCHARGER AND THE INTERCOOLER HAVE BEEN IMPROVED, RESULTING IN INCREASED POWER AND TORQUE PRODUCTION, AS WELL AS IMPROVED FUEL ECONOMY.



THE RESULT IS A SIGNIFICANT INCREASE IN POWER OUTPUT OF +20kW AND TORQUE OF +50Nm OVER THE PREVIOUS GENERATION ENGINE. THE FORTUNER'S FAMOUS 2.8L TURBO DIESEL ENGINE PRODUCES 150kW OF POWER BETWEEN 3,000 AND 3,400 RPM AND 500 Nm OF TORQUE BETWEEN 1,600 AND 2,800 RPM FOR OPTIMAL DRIVABILITY THROUGHOUT A BROADER RANGE OF RPM.

A SIX-SPEED SEQUENTIAL GEARBOX WITH PADDLE SHIFTERS IS STANDARD ON ALL FORTUNER VARIANTS. ADDITIONAL SMOOTHNESS HAS BEEN ACHIEVED THANKS TO THE ADDITION OF VARIABLE FLOW CONTROL POWER STEERING, WHICH IMPROVES STEERING FEEL BY PROVIDING MORE REALISTIC INPUT IN RELATION TO VEHICLE SPEED, WHILE ALSO BEING MORE FUEL-EFFICIENT THAN STANDARD POWER STEERING SYSTEMS.

THE INSTALLATION OF AN ALL-NEW BALANCE SHAFT IN THE LGD ENGINE RESULTS IN A QUIETER INTERIOR, FEWER VIBRATIONS, AND DECREASED HARSHNESS DURING IDLE AND ACCELERATION.

THE NEWLY INTEGRATED SPORT MODE SWITCH BOOSTS ENGINE RESPONSE, WHILE ALSO ALTERING THE STEERING FEEL FOR A MORE DYNAMIC DRIVING EXPERIENCE.

TERRAIN CONTROL REDEFINED

TOUGH BODY-ON-FRAME CONSTRUCTION THE DEFINITION OF A TRUE SUV

THE FORTUNER LEGENDER WAS DESIGNED FROM THE GROUND UP TO HANDLE BOTH ON- AND OFF-ROAD DRIVING. BASED ON A BODY-ON-FRAME PLATFORM WITH PROPER 4X4 CAPABILITY, THE FORTUNER LEGENDER IS EQUIPPED WITH A VARIETY OF OFF-ROAD FEATURES THAT ENHANCE THE DRIVING EXPERIENCE AND GIVE THE DRIVER UNPRECEDENTED CONTROL OVER ALL TERRAINS.

CLASS LEADING 4X4 DRIVING FEATURES:

- LIMITED SLIP DIFFERENTIAL (LSD)
- HILL-START ASSIST CONTROL (HAC)

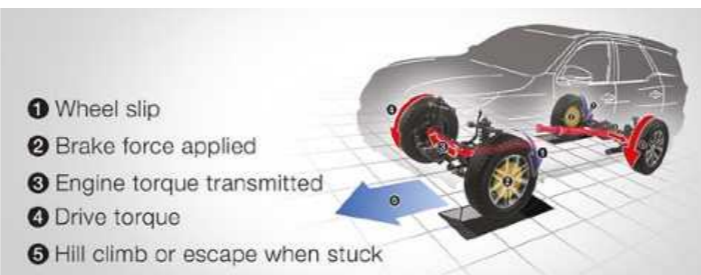


THE ALL-NEW LIMITED SLIP DIFFERENTIAL (LSD) TRANSMITS POWER TO THE TYRE WITH THE HIGHEST GRIP DURING WHEEL-SPIN CONDITIONS. THIS HELPS THE DRIVER NAVIGATE THROUGH MUD AND OTHER SOFT TERRAIN, AS WELL AS IMPROVES CONTROL DURING INTENSE CORNERING.



HILL-ASSIST CONTROL (HAC) ELIMINATES THE RISK OF ROLLING BACK WHEN PUSHING AWAY FROM A STEEP HILL.

■ ACTIVE TRACTION CONTROL (A-TRC)



ACTIVE TRACTION CONTROL (A-TRC): WHEN DRIVING OFF-ROAD OR IN SLIPPERY CONDITIONS, A-TRC APPLIES BRAKE PRESSURE TO PREVENT WHEELS FROM WHEEL SPIN DURING ACCELERATION.

■ ADVANCED SUSPENSION



THROUGH THE USE OF DOUBLE WISHBONES FOR THE FRONT SUSPENSION AND A FOUR-LINK SUSPENSION FOR THE REAR, THE ADVANCED SUSPENSION ALLOWS YOU TO EXPERIENCE TOTAL HANDLING PROWESS AND RIDE COMFORT.

■ PART-TIME 4WD SELECTOR*

PART-TIME 4WD ALLOWS THE DRIVER TO SWITCH BETWEEN 4WD, 4WD LOW, WHEN SENSING A SLIP IN THE WHEELS IN RAIN, SAND OR MUD, OR 2WD WHEN THE PRIORITY IS FUEL EFFICIENCY.



■ DOWNHILL ASSIST CONTROL (DAC)

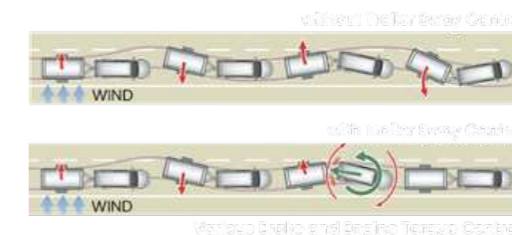
THIS TECHNOLOGY ADJUSTS ENGINE BRAKING AND BRAKE PRESSURE CONCURRENTLY, PREVENTING THE WHEELS FROM LOCKING WHEN MANAGING STEEP DESCENTS AND MAINTAINING A STALL-FREE AND STEADY VEHICLE SPEED.

■ REAR DIFFERENTIAL LOCK*



THE REAR DIFFERENTIAL LOCK SYSTEM HELPS SECURE TRACTION WHEN DRIVING IN MUDDY TERRAIN, OR IN THE UNLIKELY SITUATION WHEN THE VEHICLE IS STUCK. THE VEHICLE IS EQUIPPED WITH A SOLENOID SWITCH DIFFERENTIAL LOCK SYSTEM.

■ TRAILER SWAY CONTROL (TSC)



TRAILER SWAY CONTROL (TSC) TO KEEP YOU AND YOUR TRAILER SAFE BY MINIMISING LATERAL MOVEMENT FROM CROSS WINDS AND ROAD SURFACE CHANGES.



* PLEASE REFER TO THE OWNER'S MANUAL FOR PROPER USAGE OF 4WD FUNCTIONALITY.

ACCESSIBILITY REDEFINED

OUR MOST SOPHISTICATED FORTUNER LEGENDER YET, FEATURING A PACKAGE OF CLASS-LEADING ACCESSIBILITY FEATURES.

■ AMBIENT LIGHTING



■ SMART ENTRY



■ AUTO-FOLDING SIDE MIRRORS



■ PARKING SENSOR SWITCH



■ HIGH MOUNT STOP LAMP



■ DOOR COURTESY LAMP



■ SHARK-FIN ANTENNA



■ WELCOME LAMP



CONVENIENCE REDEFINED

A SUITE OF CLASS-LEADING ACCESSIBILITY FEATURES CREATES OUR MOST ADVANCED FORTUNER YET.

■ POWER REAR-DOOR CLOSE BUTTON WITH MEMORY FUNCTION



■ BLACK SIDE STEPS



■ CABIN POWER REAR-DOOR BUTTON





COMMAND REDEFINED

EASY ON THE EYES, THE HANDS AND THE MIND. THE SPORTY MULTI-FUNCTIONAL STEERING WHEEL AND CONSOLE-MOUNTED CENTER CLUSTER UNIFY ALL YOUR OPTIONS IN ENTERTAINMENT, NAVIGATION, INFORMATION AND PERSONALISED VEHICLE SETTINGS.

THE DRIVING REFINEMENT OF THE ALL-NEW FORTUNER LEGENDER IS UNMATCHED, THANKS TO THE STATE-OF-THE-ART CRUISE CONTROL AND ERGONOMICALLY DESIGNED PADDLE SHIFTERS. TECHNOLOGICAL ADVANCEMENTS SUCH AS THESE MAKE, TAKING COMMAND OF THE FORTUNER LEGENDER A BREEZE.



PRECISION REDEFINED

EXCELLENCE AND PRECISION ARE ENSURED BY THE REIMAGINED COMBINATION METERS WITH HIGH-DEFINITION GRAPHICS AND INTEGRATED ORNAMENTATION. THE DRIVER'S COMMAND CENTER IS A COMPLETELY RENOVATED AFFAIR, WITH A METALLIC COATING AND OPULENT SATIN FINISH. GLOSS BLACK RINGS FRAME THE BLACK DIALS, WHICH ARE NEWLY DESIGNED AND ELEGANTLY FRAMED. THE NEW MULTI-INFORMATION DISPLAY IS A HIGH-RESOLUTION 4.2 INCH TFT UNIT, WITH CORRESPONDINGLY SIMPLE, EASY-TO-READ GRAPHICS AND PROVIDES THE DRIVER WITH KEY VEHICLE INFORMATION, SUCH AS DIGITAL SPEED DISPLAY, THE SELECTED DRIVING MODE (ECO OR SPORT), WHETHER THE ELECTRICALLY OPERATED TAILGATE IS LOCKED OR NOT, TYRE TURNING ANGLE, EXTERNAL TEMP READING, AND OTHER TRIP RELATED DETAILS.

■ PUSH START



ACCESS REDEFINED

VARIABLE FLOW CONTROL (VFC) HAS BEEN ADDED TO THE HYDRAULIC POWER STEERING SYSTEM, RESULTING IN IMPROVED FUEL EFFICIENCY, PERFORMANCE, AND A NATURAL STEERING FEEL THAT MATCHES THE PACE.

■ VFC-SPECIFIC FEATURES

- STANDBY CONTROL FOR IMPROVED EFFICIENCY
- EVEN LIGHTER STEERING WHEN PARKING
- HEAVY, RESPONSIVE HIGH-SPEED STEERING
- DEDICATED OFF-ROAD SETTING BY SHIFTING TO L4, THE SYSTEM IS RECALIBRATED TO ALLOW THE DRIVER TO OBTAIN A BETTER UNDERSTANDING OF HOW MUCH GRIP THE TYRES HAVE THROUGH THE STEERING WHEEL, BY PROVIDING A CONSTANT LEVEL OF ASSIST
- SPORT MODE PROVIDES A MORE RESPONSIVE STEERING TO ACHIEVE A MORE DIRECT STEERING FEEL

■ CRUISE CONTROL



■ PADDLE SHIFTERS



AMENITIES

REDEFINED

■ EC-MIRROR



■ A/C CONTROLS FOR 2ND & 3RD ROWS



■ STEERING CONTROLS



■ 9" INFOTAINMENT SYSTEM



■ DUAL-ZONE AUTO A/C

DISCOVER CLASS-EXCLUSIVE CLIMATE TECHNOLOGY WITH THE ALL-NEW AUTOMATIC DUAL-ZONE AIR CONDITIONING SYSTEM, STRATEGICALLY VENTED TO PROVIDE EFFECTIVE AND COMFORTABLE TEMPERATURE ADJUSTMENT AT WILL, OFFERING A RARE LEVEL OF COMFORT AND CONVENIENCE.



*All trademarks are property of their respective owners



COMFORT REDEFINED

ENVELOPE YOURSELF IN SUBLIME COMFORT WITH THE ALL-NEW FORTUNER'S IMMERSIVE SEATING. WHAT SETS A LUXURY SUV APART FROM A LUXURY SEDAN IS FOREMOST ITS VERSATILITY. WHAT SETS A LEGENDER APART IS THAT IT IS CRAFTED TO A RIGID STANDARD, BLACKED OUT INTERIOR LINING AND FINE ORNAMENTATION WITH ILLUMINATION. YET IT'S HIGHLY FLEXIBLE, WITH SPLIT REAR SEATS THAT YOU CAN FOLD DOWN WITH ONE HAND.

IT'S ALSO QUITE ACCOMMODATING TO YOUR INDULGENT SIDE, WITH OPTIONS LIKE A GALAXY BLACK FINISH STEERING WHEEL, A POWER LIFT-GATE, AND STYLISHLY SPORTY ACCENTS .

THE DYNAMIC, YET RELAXED, DESIGN AESTHETIC FLOWS THROUGH EVERY DETAIL. DISCOVER SPACIOUS, LUXURIOUS, REFINEMENT IN THE ALL-NEW FORTUNER LEGENDER INTERIOR.

■ STITCHED PREMIUM LEATHER

■ ILLUMINATED DOOR PANELS



■ ILLUMINATED CONTROLS

■ WOOD GRAIN ORNAMENTS

■ MAROON LEATHER LINING





ADAPTABILITY REDEFINED

THE FORTUNER LEGENDER NOT ONLY LOOKS TRULY AT HOME IN ITS SURROUNDINGS, IT HAS BEEN DESIGNED TO DELIVER A CONFIDENT, COMFORTABLE AND ENGAGING DRIVING EXPERIENCE THAT MAKES THE MILES GO BY, VIRTUALLY UNNOTICED.

ITS OPTIMISED GEOMETRY, COUPLED WITH A UNIQUE BODY-ON-FRAME CONSTRUCTION, ENSURES IT DELIVERS EXCEPTIONAL ALL-TERRAIN CAPABILITIES.



SEATING

REDEFINED

DISCOVER FINER MATERIALS CRAFTED AROUND YOU, BRINGING FORM AND FUNCTION FLAWLESSLY TOGETHER WITH THE UTMOST FLEXIBILITY, AS YOU SIT IN THE REFINED LUXURY OF THE ALL-NEW FORTUNER LEGENDER'S PERFORATED LEATHER SEATS.

THE BLACK AND MAROON ACCENTED LEATHER ADDS A SPORTIER TOUCH TO AN ALREADY EXQUISITE DEGREE OF COMFORT.

THE ALL-NEW 8-WAY POWER-ADJUSTABLE FRONT-ROW SEATS OFFER MUCH MORE THAN MEETS THE EYE, WITH GREATER SUPPORT, LEGROOM, AND AN OVERALL POLISHED FEEL.

REAR USB CHARGING PORTS



KEEP THE POWER FLOWING TO ALL YOUR PASSENGERS' DEVICES WITH DEDICATED USB TYPE-C FAST CHARGING PORTS.



HEIGHT ADJUSTMENT

RECLINER

LENGTH ADJUSTMENT



AMBIENCE REDEFINED

TRUE POWER COMES FROM WITHIN. THE BEST EXAMPLE OF THIS IS THE INTERIOR OF THE NEW FORTUNER LEGENDER. WITH HIGH-QUALITY MATERIALS, IT HAS A LUXURIOUS SENSE OF SPACE. AT THE SAME TIME, THE FORTUNER LEGENDER'S INTERIOR EVOKES THE SENSATION OF A PURE LUXURY SUV. THANKS TO THE ALL-NEW AMBIENT LIGHTING, THE DESIGN IS ELEVATED WITH A TOUCH OF PURE EXCELLENCE.

SUPREMACY REDEFINED

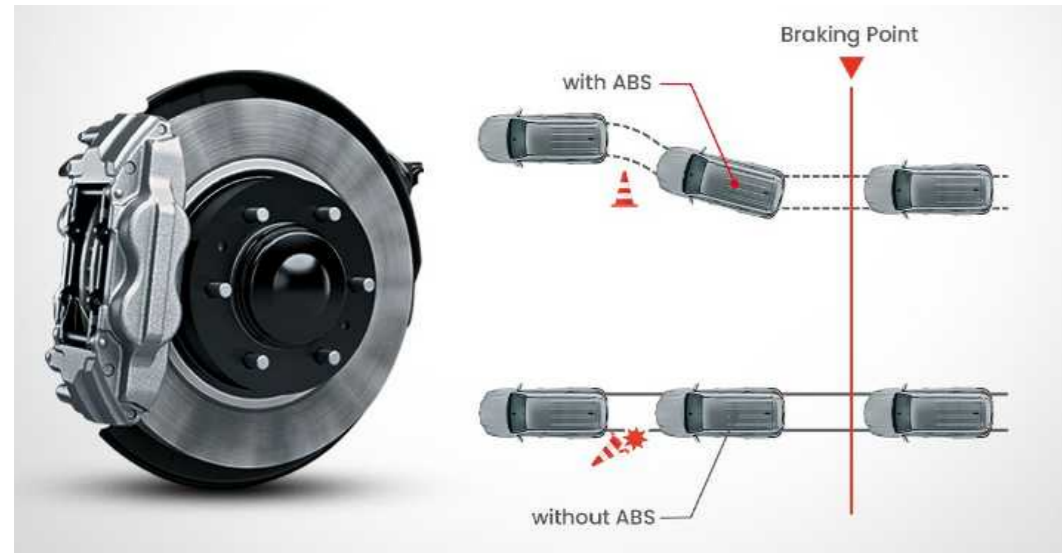
IT IS ONE THING TO BE SIMPLY STRIKING, AND QUITE ANOTHER TO HAVE BEAUTY AND DEPTH OF CHARACTER. THE ALL-NEW FORTUNER LEGENDER EXEMPLIFIES A FORWARD-THINKING DESIGN PHILOSOPHY, USING GEOMETRIC COMPONENTS TO PRODUCE A DISTINCTIVE APPEARANCE THAT IS BOTH TOUGH AND REFINED. THE ARCHITECTURE IS AGGRESSIVELY DESIGNED, AS EVIDENT THOUGHTFUL FEATURES, SUCH AS THE ROBUST WHEEL ARCHES. THE FORTUNER LEGENDER EXEMPLIFIES THE LIMITLESS IMPACT OF INVENTIVE DESIGN.



SAFETY EXCELLENCE

THE FORTUNER LEGENDER EXPERIENCE IS ALL ABOUT MAINTAINING CONTROL AT ALL TIMES, DELIVERING PEACE OF MIND, AND PUTTING THE SAFETY OF YOUR LOVED ONES FIRST.

■ ABS WITH BA & EBD

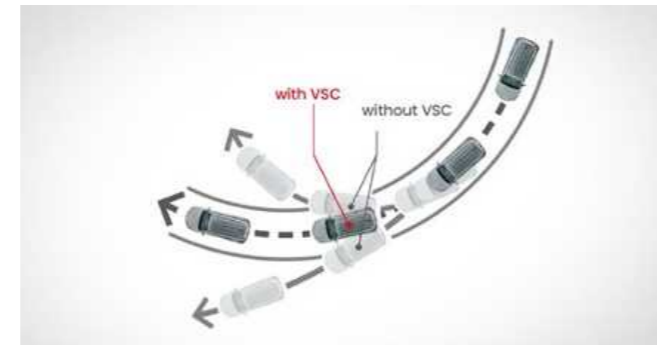


ANTI-LOCK BRAKING SYSTEM (ABS), WHEREBY EXCESS BRAKE PRESSURE IS MODULATED TO ALLOW FOR CONTINUED TYRE ROTATION UNDER EXTREME BRAKING CONDITIONS, WHERE EXCESSIVE PRESSURE WOULD ORDINARILY LOCK THE BRAKES AND INDUCE A SKID, ELIMINATING THE ABILITY TO TURN AND PROLONGING THE BRAKING DISTANCE AND POSSIBLY LEADING TO A LOSS OF CONTROL.

BRAKE-ASSIST (BA) IS THE PRE-EMPTIVE IDENTIFICATION OF AN EMERGENCY BRAKING SITUATION, THROUGH WHICH ADDITIONAL BRAKING FORCE IS AUTOMATICALLY APPLIED TO REDUCE THE BRAKING DISTANCE.

ELECTRONIC BRAKE-FORCE DISTRIBUTION (EBD) IS A FEATURE OF THE ANTI-LOCK BRAKING SYSTEM, WHICH HELPS MAKE UP FOR SHIFTING WEIGHT UNDER HARD BRAKING. IT REDUCES BRAKE PRESSURE ON WHEELS CARRYING THE LEAST AMOUNT OF WEIGHT, HELPING YOUR VEHICLE STAY IN CONTROL.

■ VEHICLE STABILITY CONTROL (VSC)



VEHICLE STABILITY CONTROL (VSC) KEEPS YOU IN CONTROL AND MAINTAINS THE VEHICLE'S DIRECTION ON SLIPPERY SURFACES. IT APPLIES BRAKE PRESSURE TO EACH TYRE INDIVIDUALLY, WHERE NECESSARY.

■ DRIVE START CONTROL (DSC)

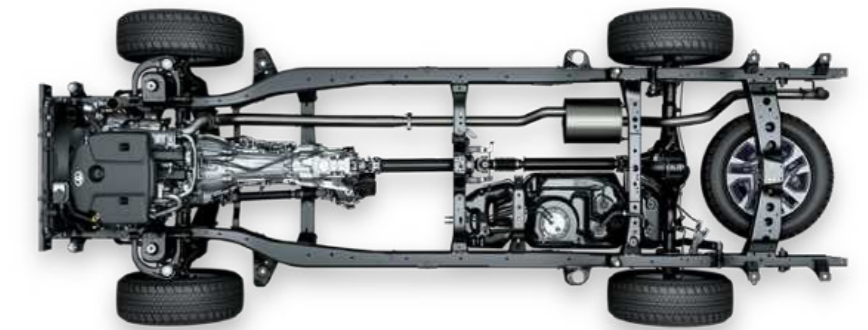


DRIVE START CONTROL (DSC) HELPS AVOID COLLISIONS BY SUPPRESSING SUDDEN ACCELERATION OR STARTING OFF DURING SHIFT OPERATIONS.

PASSIVE SAFETY EXCELLENCE

ALL FORTUNER MODELS ARE EQUIPED WITH ADVANCED SECURITY TECHNOLOGY THAT INCLUDES SMART ENTRY WIRELESS DOOR LOCKING AND SPEED-SENSING DOOR-LOCKS. THERE IS ALSO AN INDEPENDENTLY-POWERED ALARM AND IMMOBILIZER TO ENSURE THAT YOUR FORTUNER REMAINS SECURE.

ABUNDANT PASSIVE SAFETY EQUIPMENT AND STRUCTURES PROVIDE REASSURING SENSE OF SECURITY FOR ALL PASSENGERS.



■ IMPACT ABSORBING STRUCTURES

THE FORTUNER'S FRAME STRUCTURE SUPPRESSES DEFORMATION OF THE SIDE RAILS AND CROSS MEMBERS. THE FORTUNER'S BODY SHELL STRUCTURE HELPS DISPERSE IMPACT ENERGY IN THE UNLIKELY EVENT OF A COLLISION.



■ COLLAPSIBLE STEERING COLUMN

BREAKAWAY AND COLLAPSIBLE STRUCTURES OF THE STEERING COLUMN HELP ABSORB IMPACT ENERGY.



■ WHIPLASH INJURY LESSENING (WIL) FRONT SEATS

WIL CONCEPT SEATS HELP REDUCE RISK OF WHIPLASH NECK INJURIES IN LOW SPEED REAR-END COLLISIONS.



■ PEDESTRIAN PROTECTION STRUCTURE

IMPACT ABSORBING STRUCTURES OF THE FRONT SECTION HELP REDUCE IMPACT ENERGY DIRECTED AT A PEDESTRIAN.

■ SRS AIRBAGS

- SRS FRONT DRIVER AND PASSENGER AIRBAGS
- SRS DRIVER KNEE AIRBAG



■ REAR ISOFIX CHILD SEAT FIXTURE

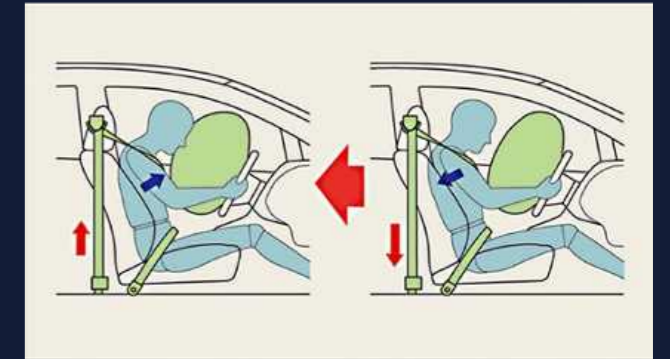


■ SECURITY EQUIPMENT



IMMOBILIZER SYSTEM WITH SECURITY ALARM

■ SEATBELTS



3-POINT ELR FRONT SEATBELTS WITH PRETENSIONER AND FORCE LIMITER
3-POINT ELR REAR SEATBELTS
FRONT SEATBELT REMINDER

FRONT PASSENGER AIRBAG SHOULD ONLY BE DEACTIVATED WHEN USING A CHILD RESTRAINT SYSTEM ON THE FRONT PASSENGER SEAT.



■ 1G3 GREY GRAPHITE



■ 1D4 SILVER METALLIC



■ 218 ATTITUDE BLACK



■ 040 SUPER WHITE



■ 4W9 PHANTOM BROWN

PALETTE REDEFINED

ALL COLOURS ARE SUBJECT TO AVAILABILITY AND COLOURS MAY VARY FROM PRINT.

TOYOTA SURE
Certified Used Vehicles
Buy. Sell. Exchange.

EXCHANGE WITH EASE.

**TOYOTA SURE
YOUR ONE WINDOW SOLUTION**

- **GET FREE EVALUATION OF YOUR CURRENT VEHICLE**
- **FINALISE THE DEAL**
- **GO WITH YOUR BRAND NEW TOYOTA FORTUNER**



Terms and Conditions Apply
We buy any Used Car in Exchange for a Brand New or Used Certified Toyota



INDUS MOTOR COMPANY LIMITED

It's a Promise

www.toyotasure.com.pk | [@ToyotaSurePk](https://www.facebook.com/ToyotaSurePk) | [@toyotasurepk](https://www.instagram.com/toyotasurepk)

SPECIFICATION SHEET

VEHICLE MODEL CODE	Fortuner GR-S (4X4 1GD Hi Diesel) (New)	FORTUNER LEGENDER (4X4 1GD Hi Diesel)	FORTUNER SIGMA 4 (4X4 1GD Hi Diesel)	FORTUNER V (4X4 2TR Hi Petrol)	FORTUNER G (4X2 2TR Std Petrol)
MODEL CODE	GUN156R-SPTHXP	GUN156R-SPTHXP	GUN156R-SPTHXP	TGN156R-SPTHXP	TGN166R-SPTSXP
DIMENSIONS					
Exterior	L x W x H (mm)	4795 x 1855 x 1835	4795 x 1855 x 1835	4795 x 1855 x 1835	4795 x 1855 x 1835
Wheelbase	(mm)	2745	2745	2745	2745
Tread	Front (mm) / Rear (mm)	1545 / 1555	1545 / 1555	1545 / 1555	1545 / 1555
Overhang	Front (mm) / Rear (mm)	990 / 1060	990 / 1060	990 / 1060	990 / 1060
Min. Running Ground Clearance	(mm)	279	279	279	279
Min. Turning Radius	Body (m)	6.2	6.2	6.2	6.2
Interior	L x W x H (mm)	2478 x 1478 x 1105	2478 x 1478 x 1105	2478 x 1478 x 1105	2478 x 1478 x 1105
Seating Capacity (persons)		7	7	7	7
Gross Vehicle Weight	Total (kg)	2730	2730	2620	2510
Curb Weight	Min. Options (kg)	2100	2100	1965	1850
Fuel Tank Capacity	Total (L)	80	80	80	80
ENGINE SPECIFICATION					
Engine Code	1GD - FTV Hi with Balance Shaft	1GD - FTV Hi with Balance Shaft	1GD - FTV Hi with Balance Shaft	2TR-FE	2TR-FE
Variable Nozzle Turbocharger	0	0	0	X	X
Intercooler	0	0	0	X	X
Displacement (cm3)	2,755	2,755	2,755	2,694	2,694
Number of Cylinders and Arrangement	4 Cylinders, In Line	4 Cylinders, In Line	4 Cylinders, In Line	4 Cylinders, In Line	4 Cylinders, In Line
Fuel System	Fuel Injection - Diesel	Fuel Injection - Diesel	Fuel Injection - Diesel	Fuel Injection - Petrol	Fuel Injection - Petrol
Maximum Output (kW @ rpm)	150 @ (3,000 - 3,400)	150 @ (3,000 - 3,400)	150 @ (3,000 - 3,400)	122 @ 5200	122 @ 5200
Maximum Torque (Nm @ rpm)	500 @ (1,600 - 2,800)	500 @ (1,600 - 2,800)	500 @ (1,600 - 2,800)	245 @ 4000	245 @ 4000
PERFORMANCE					
Transmission	Code AC60F	AC60F	AC60F	AC60F	AC60E
Type	6-Speed Sequential with Paddle Shifters	6-Speed Sequential with Paddle Shifters	6-Speed Sequential with Paddle Shifters	6-Speed Sequential with Paddle Shifters	6-Speed Sequential with Paddle Shifters
Transfer	System Part-Time H2, H4, L4	Part-Time H2, H4, L4	Part-Time H2, H4, L4	Part-Time H2, H4, L4	X
Type	Switch Type	Switch Type	Switch Type	Switch Type	X
Rear Differential Lock	Yes, Automatic Disconnect Differential	Yes, Automatic Disconnect Differential	Yes, Automatic Disconnect Differential	Yes, Automatic Disconnect Differential	X
Drive Modes	Eco + Normal + Sport	Eco + Normal + Sport	Eco + Normal + Sport	Eco + Normal + Sport	Eco + Power
Brakes' Type	Front + Rear Ventilated Disc Brakes with GR Red Callipers (New)	Ventilated Disc Brakes	Ventilated Disc Brakes	Ventilated Disc Brakes	Ventilated Disc Brakes
Brake Control Valve	ABS + EBD + BA	ABS + EBD + BA	ABS + EBD + BA	ABS + EBD + BA	ABS + EBD + BA
Type & Wheel	Type 265/60R18 Black Tinted Alloy with Machine Cut Finish (New)	265/60R18 Alloy with Machine Cut Finish	265/60R18 Alloy	265/60R18 Alloy	265/65R17 Alloy
Suspension Type	Front / Rear Double Wishbone / Four Link with Monotube Shock Absorbers (New)	Double Wishbone / Four Link	Double Wishbone / Four Link	Double Wishbone / Four Link	Double Wishbone / Four Link
Stabiliser Bar	0	0	0	0	0
Cruise Control	0	0	0	0	0
EXTERIOR					
Power Back Door	0	0	0	0	0
Headlamps	Bulb Quad-LED with Dual Projector Headlamps	Quad-LED with Dual Projector Headlamps	Bi-Beam LED PES Automatic	Bi-Beam LED PES Automatic	Bi-Beam LED PES Automatic
System	Smart (Auto Operate & Follow-Me)	Smart (Auto Operate & Follow-Me)	Smart (Auto Operate & Follow-Me)	Smart (Auto Operate & Follow-Me)	Smart (Auto Operate & Follow-Me)
Daytime Running Lamps	Waterfall DRLs	Waterfall DRLs	Hi - LED (Line-Guide)	Hi - LED (Line-Guide)	Standard LED (4 x LED)
Turn Signal Lamps & Position Lamps	Sequential LED Turn Signal & LED Type	Sequential LED Turn Signal & LED Type	LED Type	LED Type	Bulb Type
Tail Lamps	LED Plus Type + Sequential Turn Signals	LED Plus Type + Sequential Turn Signals	LED Plus Type	LED Plus Type	Standard LED Type
High Mount Stop Lamp	LED Type	LED Type	LED Type	LED Type	LED Type
Front Bumper	Bumper w/Piano Black Accents and Piano Black Integrated Skid Plate (New)	Bumper with Piano Black Accents and Silver Integrated Skid Plate	Standard with Silver Painted Integrated Skid Plate	Standard with Silver Painted Integrated Skid Plate	Standard with Material Integrated Skid Plate
Rear Bumper	Bumper with Aerodynamic Corner Mouldings	Bumper with Aerodynamic Corner Mouldings	Standard	Standard	Standard
Front Grille	Black Painted Mesh-type with Piano Black Accents	Black Painted Mesh-type with Piano Black Accents	Black Paint with Chrome Outer Grille & Lamps' Garnish	Black Paint with Chrome Outer Grille & Lamps' Garnish	Black Paint with Chrome Outer Grille & Lamps' Garnish
Front Foglamps	LED with Bi-Tone Cover (New)	LED	LED	LED	LED
Side-turn Signals	On Outer Mirrors	On Outer Mirrors	On Outer Mirrors	On Outer Mirrors	On Outer Mirrors
Outer Rear View Mirrors	Electric + Power Retractable + Welcome Lamps	Electric + Power Retractable + Welcome Lamps	Electric + Power Retractable + Welcome Lamps	Electric + Power Retractable + Welcome Lamps	Electric + Power Retractable
Door Handles	Chrome	Chrome	Chrome	Chrome	Chrome
Doorbelts' Mouldings	Body Colour (New)	Silver	Silver	Silver	Black
Back Door Garnish	Silver	Silver	Silver	Silver	Black
Side-Steps	Cover Body Colour (New)	Black-out	Chrome	Chrome	Chrome
Mud Guards	Black	Black	Silver	Silver	Black
Air Spats	Front + Rear	Front + Rear	Front + Rear	Front + Rear	Front + Rear
	Front + Rear	Front + Rear	Front + Rear	Front + Rear	Front + Rear
INTERIOR					
Cabin Scheme	Black with GR-S Red Stitching (New)	Dual-Tone Maroon & Black / Black	Chamois / Black	Chamois / Black	Black / Black
Ambient Illumination	x	Centre Cluster + Door Trim + Front Footwell	x	x	x
Seats' Material	Suede + Leather (New)	Dual-Tone Perforated Leather (Maroon and Black)	Leather	Leather	Premium fabric

VEHICLE MODEL CODE	Fortuner GR-S (4X4 1GD Hi Diesel) (New)	FORTUNER LEGENDER (4X4 1GD Hi Diesel)	FORTUNER SIGMA 4 (4X4 1GD Hi Diesel)	FORTUNER V (4X4 2TR Hi Petrol)	FORTUNER G (4X2 2TR Std Petrol)
MODEL CODE	GUN156R-SPTHXP	GUN156R-SPTHXP	GUN156R-SPTHXP	TGN156R-SPTHXP	TGN166R-SPTSXP
Door Trim	Leather with Red Stitching / Smoke Silver (New)	Dual-tone Leather / Silver with Illumination	Leather / Silver	Leather / Silver	Premium Fabric / Silver
Instrument Panel	Smoke Silver Metallic + Accent Colour Stitching + Satin Finish / Black (New)	High Brightness Metallic + Accent Colour Stitching + Satin Finish with Illumination	High Brightness Metallic + Satin Silver Finish / Black	High Brightness Metallic + Satin Silver Finish / Black	High Brightness Metallic + Satin Silver Finish / Black
Power Door Lock	With Speed Auto Lock	With Speed Auto Lock	With Speed Auto Lock	With Speed Auto Lock	With Speed Auto Lock
Push Start	0 (with GR Emblem) (New)	0	0	0	0
Smart Entry	Satin Chrome Smart Key with Panic and Ormentation (New)	Satin Chrome Smart Key with Panic Chrome	Smart Key with Panic Chrome	Smart Key with Panic Chrome	Smart Key with Panic Chrome
Door Handles	Body Colour (New)	Chrome	Chrome	Chrome	Chrome
Window Wipers	Front Time Adjust Intermittent + Mist	Time Adjust Intermittent + Mist	Time Adjust Intermittent + Mist	Time Adjust Intermittent + Mist	Time Adjust Intermittent + Mist
	Rear Intermittent	Intermittent	Intermittent	Intermittent	Intermittent
Illuminated Entry System	0	0	0	0	0
Coat Hook	0	0	0	0	0
Shopping Hooks	0	0	0	0	0
Inside Rear View Mirror	Electrochromic Mirror	Electrochromic Mirror	Electrochromic Mirror	Electrochromic Mirror	Day & Night
Sun Visors	D + P + Mirror w/ Lid and Vanity Lamp	D + P + Mirror w/ Lid and Vanity Lamp	D + P + Mirror w/ Lid and Vanity Lamp	D + P + Mirror w/ Lid and Vanity Lamp	D + P + Mirror w/ Lid and Vanity Lamp
Heater	0	0	0	0	0
Climate Control	Front / Rear Dual Zone Auto A/C / Auto A/C	Dual Zone Auto A/C / Auto A/C	Dual Zone Auto A/C / Auto A/C	Dual Zone Auto A/C / Auto A/C	Dual Zone Auto A/C / Auto A/C
Side Defroster	0	0	0	0	0
Cool and Hot Box	0	0	0	0	0
Head Rests	Front Seats Separate, D + P (with GR Badging) (New)	Separate, D + P	Separate, D + P	Separate, D + P	Separate, D + P
	Second Row Seats Separate, 3	Separate, 3	Separate, 3	Separate, 3	Separate, 3
	Third Row Seats Separate, 2	Separate, 2	Separate, 2	Separate, 2	Separate, 2
Rear Armrest	0 (with Cup Holders x 2)	0 (with Cup Holders x 2)	0 (with Cup Holders x 2)	0 (with Cup Holders x 2)	0 (with Cup Holders x 2)
Front Seats	Type Separate / Premium	Separate / Premium	Separate / Premium	Separate / Premium	Separate / Premium
	Adjustment System Powered (Driver-side + Passenger-side)	Powered (Driver-side + Passenger-side)	Powered (Driver-side + Passenger-side)	Powered (Driver-side + Passenger-side)	Manual
	Slide Adjustment Driver + Passenger	Driver + Passenger	Driver + Passenger	Driver + Passenger	Driver + Passenger
	Recline Adjustment Driver + Passenger	Driver + Passenger	Driver + Passenger	Driver + Passenger	Driver + Passenger
	Height Adjustment Driver + Passenger	Driver + Passenger	Driver + Passenger	Driver + Passenger	Driver-Side
Second Row Seats	With Armrest 60:40 Split, Slide and One-Touch Tumble	With Armrest 60:40 Split, Slide and One-Touch Tumble	With Armrest 60:40 Split, Slide and One-Touch Tumble	With Armrest 60:40 Split, Slide and One-Touch Tumble	With Armrest 60:40 Split, Slide and One-Touch Tumble
Third Row Seats	50:50 Space-Up with Recline Adjustment	50:50 Space-Up with Recline Adjustment	50:50 Space-Up with Recline Adjustment	50:50 Space-Up with Recline Adjustment	50:50 Space-Up with Recline Adjustment
Accessory Connectors	12 V DC Two Connectors & Rear USB Charge Ports (Type-C) x 2	Two Connectors & Rear USB Charge Ports (Type-C) x 2	Three Connectors	Three Connectors	Three Connectors
	220 V AC (100W) One Connector	One Connector	One Connector	One Connector	One Connector
Steering	Material Soft Leather Grain with Red Stitching and GR Emblem (New)	Soft Leather Stitched with Galaxy Black Wood Trim	Leather Stitched with Wood	Leather Stitched with Wood	Leather Stitched with Wood
	Type Hydraulic Power Steering with Variable Flow Control	Hydraulic Power Steering with Variable Flow Control	Hydraulic Power Steering with Variable Flow Control	Hydraulic Power Steering	Hydraulic Power Steering
	Adjustment System Tilt & Telescopic	Tilt & Telescopic	Tilt & Telescopic	Tilt & Telescopic	Tilt & Telescopic
	Fingerlip Controls Audio, Tel, VR, MID Premium	Audio, Tel, VR, MID Premium	Audio, Tel, VR, MID Premium	Audio, Tel, VR, MID Premium	Audio, Tel, VR, MID Premium
Speedometer	GR Premium Opltron Meter with Red Pointer Illumination (New)	Premium Opltron Meter with Black Dial Hairline Finish	Premium Opltron Meter with Metallic Blue Dials	Premium Opltron Meter with Metallic Blue Dials	Premium Opltron Meter with Metallic Blue Dials
Multi Info Display	Large Colour TFT	Large Colour TFT	Large Colour TFT	Large Colour TFT	Large Colour TFT
Economy Meter	0	0	0	0	0
Infotainment System	Screen 9" Capacitive Display (New)	9" Capacitive Display (New)	9" Capacitive Display (New)	9" Capacitive Display (New)	9" Capacitive Display (New)
	Inputs Bluetooth, Screen Mirroring, Voice Recognition, USB, MIC, WiFi Ready, Apple® Carplay & Android Auto® support, NFC Pairing	Bluetooth, Screen Mirroring, Voice Recognition, USB, MIC, WiFi Ready, Apple® Carplay & Android Auto® support, NFC Pairing	Bluetooth, Screen Mirroring, Voice Recognition, USB, MIC, WiFi Ready, Apple® Carplay & Android Auto® support, NFC Pairing	Bluetooth, Screen Mirroring, Voice Recognition, USB, MIC, WiFi Ready, Apple® Carplay & Android Auto® support, NFC Pairing	Bluetooth, Screen Mirroring, Voice Recognition, USB, MIC, WiFi Ready, Apple® Carplay & Android Auto® support, NFC Pairing
	Navigation No Built-in Navigation (Navigation through Apple® Carplay / Android Auto®)	No Built-in Navigation (Navigation through Apple® Carplay / Android Auto®)	No Built-in Navigation (Navigation through Apple® Carplay / Android Auto®)	No Built-in Navigation (Navigation through Apple® Carplay / Android Auto®)	No Built-in Navigation (Navigation through Apple® Carplay / Android Auto®)
	Speakers 6 Speakers	6 Speakers	6 Speakers	6 Speakers	6 Speakers
	WiFi 0	0	0	0	0
	Rear Camera 0	0	0	0	0
Antenna	Shark Fin	Shark Fin	Shark Fin	Shark Fin	Shark Fin
SAFETY					
Vehicle Stability Control	With A-TRC + HAC + TSC + DAC + LSD	With A-TRC + HAC + TSC + DAC + LSD	With A-TRC + HAC + TSC + DAC + LSD	With A-TRC + HAC + TSC + DAC + LSD	With + HAC + TSC
Drive Start Control	0	0	0	0	0
Tyre-Turning Angle (Shown in MID)	0	0	0	0	0
Clearance Sonar	Front x 2 + Rear x 4	Front x 2 + Rear x 4	Front x 2 + Rear x 4	Front x 2 + Rear x 4	X
Emergency Brake Signal	X	X	0	0	0
Light Reminder	0	0	0	0	0
Engine Oil Levelling Warning	0	0	0	X	X
Shift-Lock System	0	0	0	0	0
Anti-Theft System	Immobilizer with Horn	Immobilizer with Horn	Immobilizer with Horn	Immobilizer with Horn	Immobilizer with Horn
Anti-Lock Braking System	0	0	0	0	0
Door Courtesy	Lamps	Lamps	Lamps	Lamps	Reflectors
Seatbelts	Front Seats 3-point ELR x 2 + P/T + F/L	3-point ELR x 2 + P/T + F/L	3-point ELR x 2 + P/T + F/L	3-point ELR x 2 + P/T + F/L	3-point ELR x 2 + P/T + F/L
	2nd Row Seats 3-point ELR x 3	3-point ELR x 3	3-point ELR x 3	3-point ELR x 3	3-point ELR x 3
	3rd Row Seats 3-point ELR x 2	3-point ELR x 2	3-point ELR x 2	3-point ELR x 2	3-point ELR x 2
Child-Restraint System	ISOFIX Child Seat Anchors	0	0	0	0
SRS Airbags	Front Airbags Dual (Driver + Passenger)	Dual (Driver + Passenger)	Dual (Driver + Passenger)	Dual (Driver + Passenger)	Dual (Driver + Passenger)
	Knee Airbag Driver	Driver	Driver	Driver	Driver
	On/Off Switch 0	0	0	0	0
	Airbag Indicator 0	0	0	0	0
Rear Cross Traffic Alert (RCTA)	0 (New)	X	X	X	X
Blind Spot Monitor (BSM)	0 (New)	X	X	X	X
360 View Camera/Panoramic View Monitor (PVM)	0 (New)	X	X	X	X

0 = Applicable X = Not Applicable

*Indus Motor Company reserves the right to alter any details of specifications and equipment without notice. Vehicles shown and specifications mentioned herein may vary from models and equipment available.

EVERY TOYOTA IS A SYMBOL OF OUR PROMISE FOR QUALITY

At Toyota, for us our customers always come first and their safety is our top priority, which is why when our loyal customers choose to own a Toyota, we make sure that they find trust and peace of mind that they deserve. From 3 years or 100,000 km Mileage Warranty to Unparalleled Quality, from Durability and Reliability (Q.D.R.) to maintenance and grooming, Toyota ensures an unmatched level of safety with Body Reinforcements. We provide ISOFIX Child Seat Anchors and Immobilizer to ensure that every journey with Toyota is secure and satisfying. It is this level of dedication and attention to detail that has made us Pakistan's most loved, reliable and trusted vehicle.

VALUE ADDED SERVICES



Extend your warranty to up to 5 years



Lock in your maintenance contract and stay worry-free



Avail comprehensive insurance plan for a greater peace of mind

*Indus Motor Company reserves the right to alter any details of specifications and equipment without notice. Vehicles shown and specifications mentioned herein may vary from models and equipment available.



SALES



SERVICE



SPARE PARTS



T-SURE